

GDI

HAML-RBH

Hollow Shaft Operator

Direct Drive and Jackshaft

Heavy Duty, High Cycle

Commercial and Industrial Door Operator

Features

- 1" or 1 ¼" hollow shaft
- Fast open and close speeds independently set
- High cycle- up to 5,000 open/close cycles/day
- Adjustable timer to close up to 240 seconds
- Smooth movement open/close movement
- On site speed adjustment capability
- Double shielded stainless steel bearings
- One operator can handle all AC voltages - Single phase and three phase; 115, 208, 230, 460, 575; 50/60 Hz
- Battery backup – Provides for operation if AC power is lost
- Electronically set door open and close limits - No mechanical switches
- PositionTrak™ tracks and remembers door open/close position with or without power – No re-setting of limits once installed
- UL325 compliant (Optional)
- UL/ULC listed
- Automatic calibration for door size and weight
- Electronic clutch
- Eight inputs (open, close, stop, safety, open/close, UL325 [optional], door lock) site modifiable
- Side mount bracket or Torsion support
- NEMA1 or NEMA4 control panel (NEMA1 shown)

Benefits

- Ultra quiet operation - No transmitted noise into building
- Soft start/stop - Reduces mechanical stress on door and components
- GearMotors are sealed and require no maintenance.
- Aluminum GearMotor body can withstand corrosive and toxic environments.
- These powerful operators work equally well in wet and in cold temperature environments.
- Electronic clutch – Prevents damage to arms when locked
- Obstruction sensing throughout the close cycles

Applications

Car wash, Cold storage, Pharmaceutical, Food facility, Shutter, Agricultural, Rolling steel, Grilles, Trolley, Hangar door, High speed fabric, Condominium, Parking garage, High speed and medium speed horizontal doors and more



CHARACTERISTICS	HAML-RBH
Dimension	16" x 4.3" x 4.3"
Motor type	Brushless DC
Voltage selection (AC) - Single phase or three phase	115, 208, 230, 460, 575 50/60 Hz
Max Cycles (open/close) per day	5,000
Limit switches	Electronically Set Limits
Calibration	Automatic/Manual Jog
Position tracking	40-day PositionTrak™
UL325	Available
Re-open after obstruction	Yes; Adj delay 0 to 20 sec.
Weight (lbs.)	30 (Gearmotor)
Power for accessories	24 VAC 1 Amp. 24 VDC 1.5 Amp.
Battery indication	Yes
Solar power capable	Yes
Adjustable force based obstruction sensing on close (Non UL325 only)	Yes
Timer to close	Yes (0 to 240 sec.)
Mechanical Noise isolation	Not required, Ultra quiet motor
Controls at eye level	Yes
Eye level LCD readout for cycle count status	Yes
Programmable inputs and outputs	Yes
Inputs	8
Outputs	3
Maintenance free sealed motor	Yes
Obstruction Sensing	Yes
Delay to close	Yes
Delay to re-open	Yes
Energy mgmnt. (min. heat dissipation)	Yes
Door lock on panel	Yes
Ease of installation	Colour coded wires, Polarized connectors, LCD status display
UL/ULC controller	Yes
UL/ULC panel	Yes
UL/ULC motor	Yes
Onboard system status messages	Yes
Family members	HAML-RBH, RCH, RDH, HR-10

Add-on features

Can be ordered any time for field upgrade

- Battery backup
- Chain hoist
- Chain hoist with brake
- Solid shaft adaptor 1" x 3" with keyway
- Solid shaft adaptor 1.25" x 3" with keyway
- Custom Shaft Adaptor (1 1/2" etc.)
- Traffic light control, (loop sensors)
- Photo-eye
- Wireless Receiver and Transmitters

Available with operator order only

- UL-325 with NEMA4 photo-eye
- Optical isolation for electrically noisy environments
- 1" or 1 1/4" hollow shaft
- NEMA4 16" H x 14" W x 8" D panel
- Optional buttons (Optional front Panel Open, Close, Stop) for NEMA1 or NEMA4 panels)
- Panel mounted Key Switch

Power

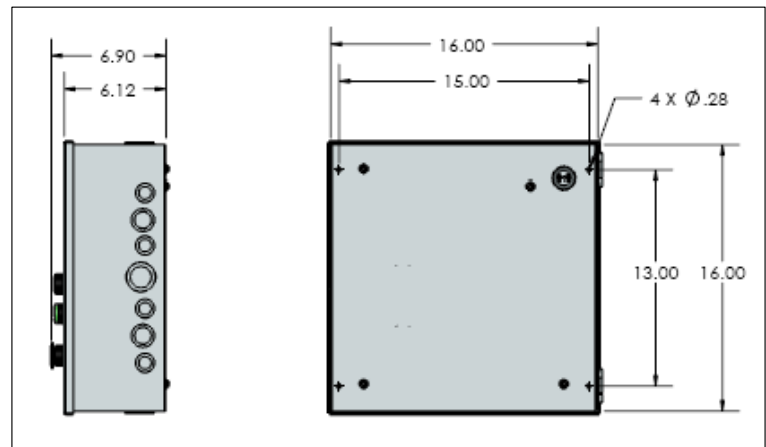
- Brushless, DC, high reliability, high efficiency and low maintenance motor
- Each operator can be connected to any of the following AC voltages; 115, 208, 230, 460, 575VAC single/three phase, 50/60Hz
- Battery backup add on - Intelligent, internal battery charger
- 24 VAC 1 Amp for external devices
- 24 VDC 1.5 Amp for external devices

Duty Cycle and Speed

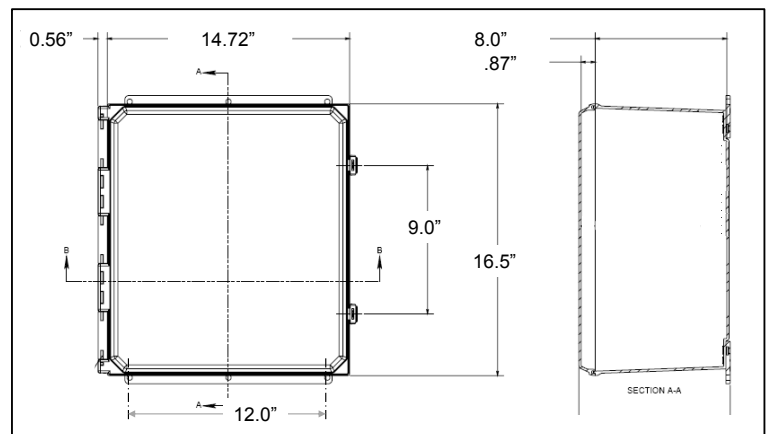
Open/close cycles/day	Max . speed RPM
5,000	65

Distributed/Sold by:

Control Panel

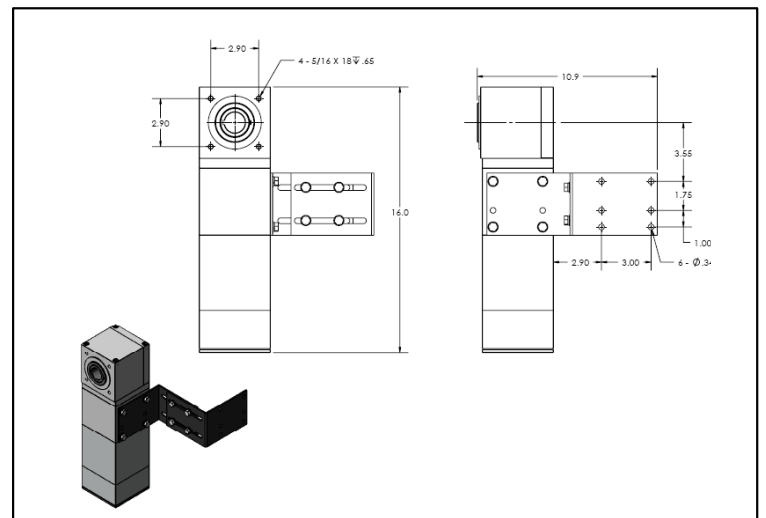


NEMA1 Panel (with optional open, close, stop buttons)



NEMA4 Panel (optional)

GearMotor™ Mounting



GDI reserves the right to modify the contents without prior notification.

Gates and Doors Inc.

60 Ferrier St., Markham, Ontario, Canada, L3R 2Z5

www.gatesanddoorsinc.com sales@gatesanddoorsinc.com

Ver. 1.16b