



HS 200 HIGH SPEED DOOR

High Speed

Speeds of up to 100"/sec.

Door Curtain Material

Weather and puncture resistant fabric with a layer of woven polyester monofilament PVC, available in blue or orange.

Virtually Indestructible

The optional break away bottom bar gives away at impact, allowing for fast and easy repair without the use of special tools.

Minimal Maintenance

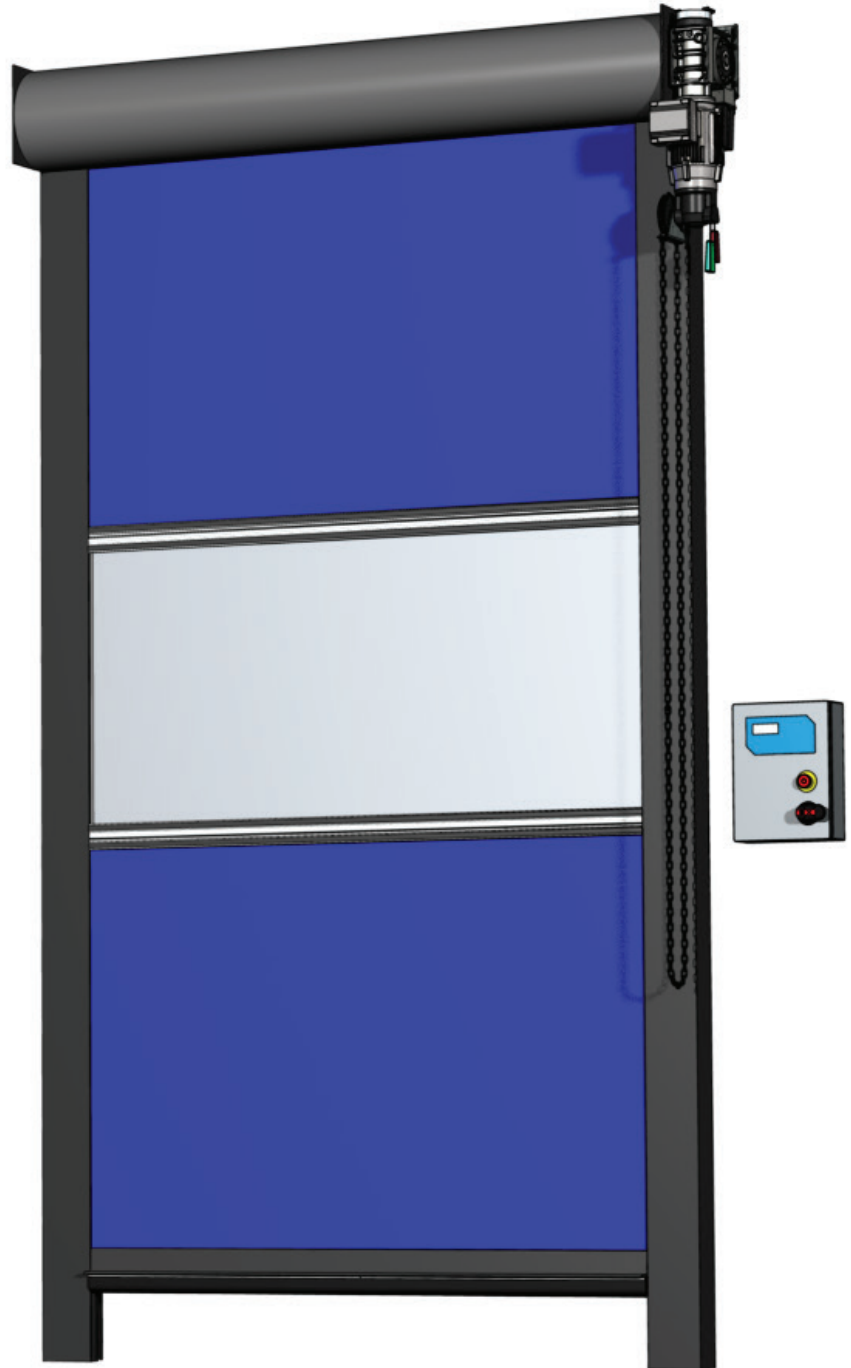
Designed with fewer moving parts, the HS200 provides worry free access through your opening, using only the best quality components available.

Zero Downtime

Even after an impact this door is designed to have you up and operating in minutes, allowing your facility to keep running without interruption.

Energy Consumption

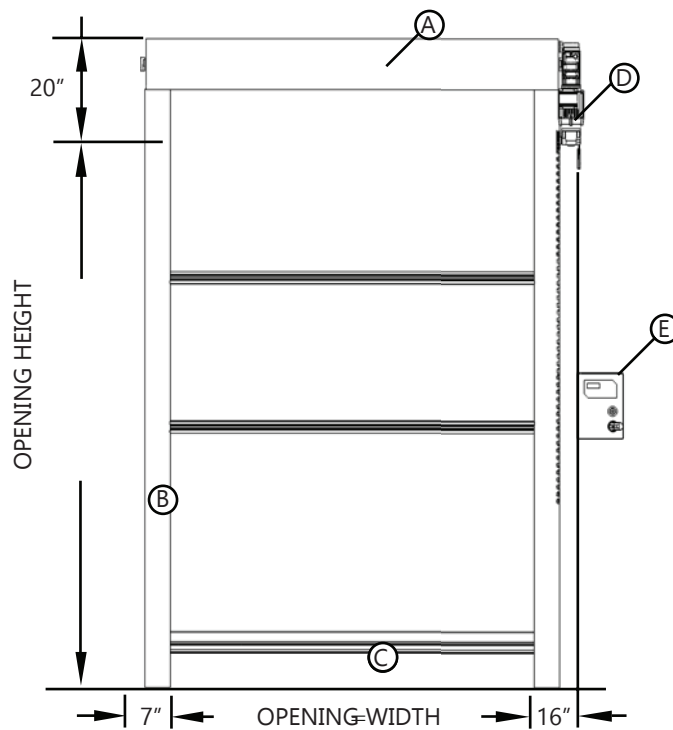
Superb resiliency and flexibility at temperatures ranging from -15°C to +90°C. The airtight seal and minimal infiltration is ideal where heat loss or gain is a concern.



Safedrive® Digital Control Panel

HS 200 DOOR DETAILS

TYPICAL DETAILS



- A Barrel & curtain assembly
- B Side guides
- C Bottom bar
- D Safedrive® operator
- E Safedrive® control panel

NOTE:
Drawing not to scale.
Right hand drive is shown.

OPTIONS

- Weatherseal / Hood
- Operator covers
- Induction floor loops
- Motion / Presence detectors
- Pull cords
- Radio control systems
- Warning horn and/or beacon
- Photocells for safety
- Clear PVC vision panel

FEATURES

- Open/Close Speed: 36" - 18"/sec
- Maximum size: 12' wide x 12' high
- Header clearance: 20" above clear opening
- Safety Edge: Air wave
- Fabric: PVC coated polyester monofilament
- Side frames: 4"x5" Steel + Aluminum
- Control panel: NEMA 4 w/ frequency drive
- Power supply*: 208V, 230V 1PH or 230V/460V/575V 3PH
- Motor HP: As required
- Limit adjustment: Control panel / Encoder
- Photocell: Reflective

*Power supply varies with each model. Optional transformer may be required. Call for details.