

HDF

High Performance Interior Fabric Doors

DIRECT DRIVE SPRINGLESS



TNR direct drive springless roll-up fabric doors for demanding interior applications addressing key concerns of:

HIGH TRAFFIC

continual production process flow

DOOR IMPACTS

fast moving lift trucks, varying load dimensions

MAINTENANCE COSTS

easier and faster to repair, less downtime

ENVIRONMENTAL CONTROL

fast door cycle, superior seal

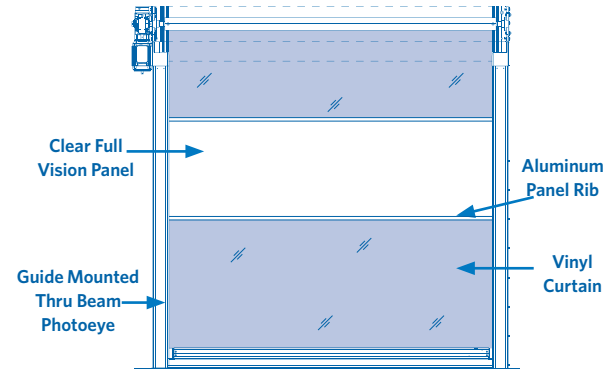
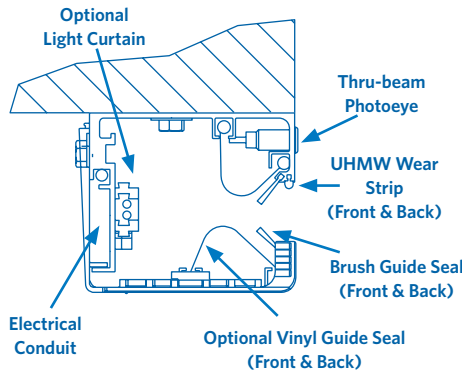
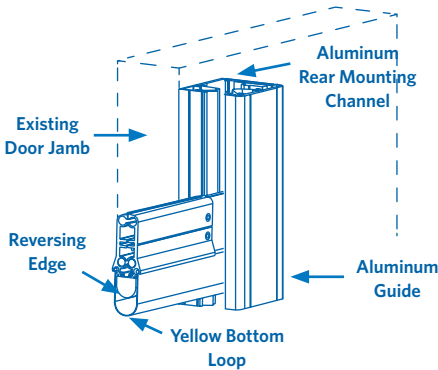


***Tough 'n' Reliable
In Your Challenging
Environments***

HIGH SPEED INTERIOR FABRIC DOORS - Direct Drive Springless

Applications: Interior access to controlled environments in manufacturing, food processing, clean rooms.

Mechanical Feature	Description	Benefit
1 Vinyl Curtain Material with Aluminum Ribs - Warranty - 3 year (40 oz) and 5 year (88 oz)	Durable 40 or 88 ounce vinyl 2-ply fabric, polyester monofilament reinforcement. Blue, Orange, Grey, Tan, special order Red. Standard full width vision panel.	Durable, flexible door with good vision for increased safety. Aluminum ribs provide resistance to air pressure. 88 ounce vinyl fabric is FDA compliant.
2 Anodized Aluminum Guides	Extruded profile with UHMW wear strips and integrated wire tracks.	Sleek, clean profile and small footprint. Reduced curtain wear with good door seal.
3 Header and Guide Seals	Vinyl baffle header seal, dual front/back brush guide seals.	Reduces air infiltration when door is closed maximizing environmental separation.
4 Door Size - W x H	From 5' x 5' up to 16' x 14'. Minimum headroom 17", projection 14".	Provides solutions for wide range of manufacturing, environmental separations and process applications.
5 Impactable Bottom Bar	Aluminum structure with flexible arms in guide. Yellow vinyl bottom loop seal.	Releases upon impact with semi automatic reset eliminating downtime. Loop seal provides good seal on uneven floors.
6 Pre-assembled Header on End Plates	Header components are factory assembled on end plates	Allows for quick and trouble-free installation
7 Front Roll Cover	Standard galvanized hood to cover header assembly	Protects barrel and curtain, provides increased safety and aesthetics.
8 Emergency Egress	Standard hand crank	Allows manual opening and safe exit through door in case of power failure or emergency.
9 Options	Full vision door or full fabric door, Hoods, colors, vinyl loop guide seals, corrosion resistant package, impact sensor.	Accommodates a wide variety of application needs, increased safety and reduced maintenance costs.



Electrical Feature	Description	Benefit
1 Drive System - 5 years or 1 million cycles	Heavy Duty Gear Direct Drive Operator includes operator and gearbox with integrated safety brake. Variable frequency drive integrated with control panel.	Motor and gearbox design eliminates need for counterbalancing. Maintenance free safety brake. Smooth, quiet operation with soft-start/soft-stop.
2 Open/Close Door Speeds	up to 56/32 inches per second	Conserves energy, increases productivity, reduces climate fluctuations, maintains environmental separation.
3 Control Panel	Integrated logic board with extensive pre-sets, diagnostics and fast startup. Integrated variable frequency drive. NEMA 4 metal enclosure, wall mount, 12"W x 16"H x 5"D.	Easy standard setup, reliable operation, easy troubleshooting. Customized control programming. Panel mounted door control buttons, E-stop and rotary disconnect.
4 Photoeyes	Guide-mounted through-beam photoelectric sensor	Reliable safety feature that reverses door travel if obstructed.
5 Reversing Edge	Pressure sensitive 2-wire electric edge, wireless connection.	Provides reliable safety, easy installation, low maintenance.
6 Plug and Play cable system (optional)	Cabling and connectors at control panel and operator.	Provides quick and easy installation, setup and maintenance of door system.
7 Safety and Activation Options	Remote controls, pull cords, loop, motion detectors, light curtains and more.	Accommodates a wide range of applications, added safety and convenience of use.

Toll-free 1-866-792-9968

info@tnrdoors.com

TNRdoors.com



Copyright© 2019 TNR Industrial Doors Inc. All rights reserved. All trademarks and registered trademarks are the property of their respective owners. Specifications subject to change.
Canadian Patents - 2446648, 2436381, 2463208, 2737124. US Patents - 7516770, 6942003, 8291960.