

PARK KING™ DOORS

Springless Low Headroom



High Performance, High Speed,
Impactable Door Systems
for Parking Garage Applications



*Tough 'n' Reliable
In Your Challenging
Environments*

LOW HEADROOM PARKING DOOR SYSTEMS

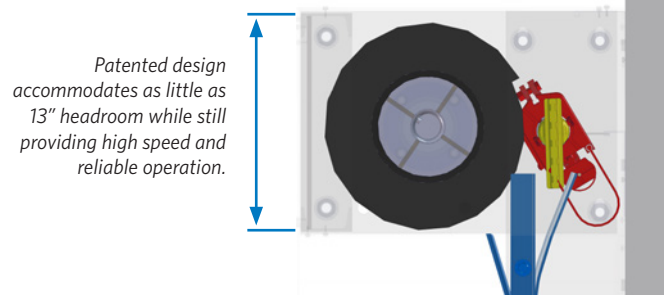
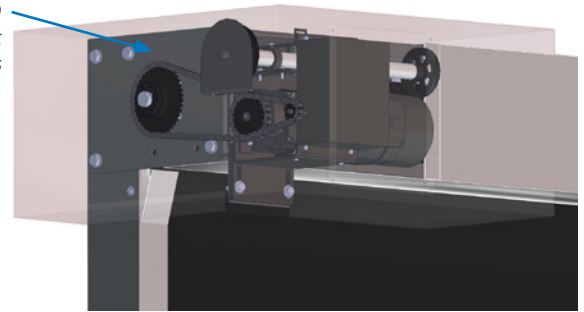
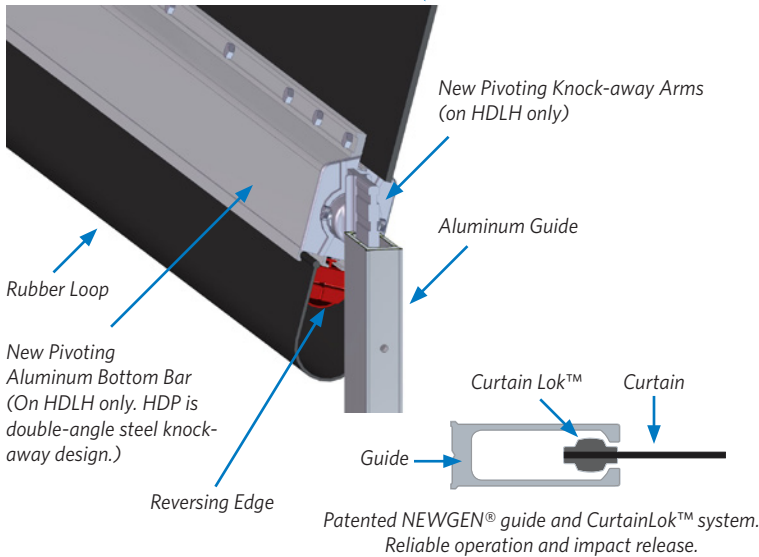
Applications: Condominiums, office towers, hotels, underground parking, airports

PARK-KING™ doors combine rugged durability with a high performance drive system and sophisticated controls for superior low & extra low headroom parking garage door solutions.

Outstanding reliability, minimal downtime and fast operation are essential requirements of parking garage door applications. Property and Maintenance Managers recognize the value of our PARK-KING™ doors proven durability and reliability combined with high speed performance and low maintenance.

1/4" Black SBR rubber with polyester core weave. Flexible and resistant to abusive environments and impacts in temperatures from -40°F to +180°F

Compact, High Efficiency Helical Gear Head (HG) Operator provides fast & reliable springless operation.



| PARK-KING™ Door Features | model HDP low headroom | model HDLH extra low headroom |
|---|---------------------------|---|
| Door Size — Maximum width x height – feet | 25 x 10 | 25 x 10 |
| Headroom Clearance — Minimum - inches | 18 | 13 |
| Opening Speed — inches per second (up to) | 30 | 30 |
| Springless Design — over 20' wide has inertia brake, otherwise optional | • | • |
| Curtain Type — 1/4" Black SBR rubber with polyester core weave | • | • |
| Static Windload — 20 pounds per square foot | • | • |
| Traveling Windbar — for windy applications (optional) | • | n/a - optional weight for 15 lb/ft bottom bar |
| Reversing Edge — Pressure sensitive, wireless | Air-wave edge | 2-wire electric edge |
| Control Panel — PLC and Variable Frequency Drive soft start, soft stop | • | • |
| Activation — Remote controls, pull cords, loop & motion detectors and more | • | • |
| Frame — self-supporting Steel Mounting Angle | • | • |
| Photoeyes — Through Beam standard | • | • |
| Egress — Emergency Chain Hoist | • | • |
| Other Options — curtain colors, windows, hoods, access controls, speciality functions, sequencing, traffic lights and more | • | • |

Warranty: Limited lifetime warranty on curtain and NEWGEN® guide. Five years or 1,000,000 cycles on operator with variable frequency drive. Two years on all other parts and workmanship.

Toll-free 1-866-792-9968

info@tnrdoors.com

TNRdoors.com

